

# ÜBERSICHTSZEICHNUNG

## ASSEMBLY DRAWING

### E-TERU PRO



### E-TERU ADVANCED



### E-TERU UNIVERSAL



**E-TERU PRO / ADVANCED / UNIVERSAL (MY23)**

**E-TERU PRO EQ / ADVANCED EQ / UNIVERSAL EQ (MY23)**

**E-TERU PRO EQ LOW / ADVANCED EQ LOW / UNIVERSAL EQ LOW (MY23)**

# **GHOST**



E-TERU PRO & ADVANCED & UNIVERSAL (MY23)

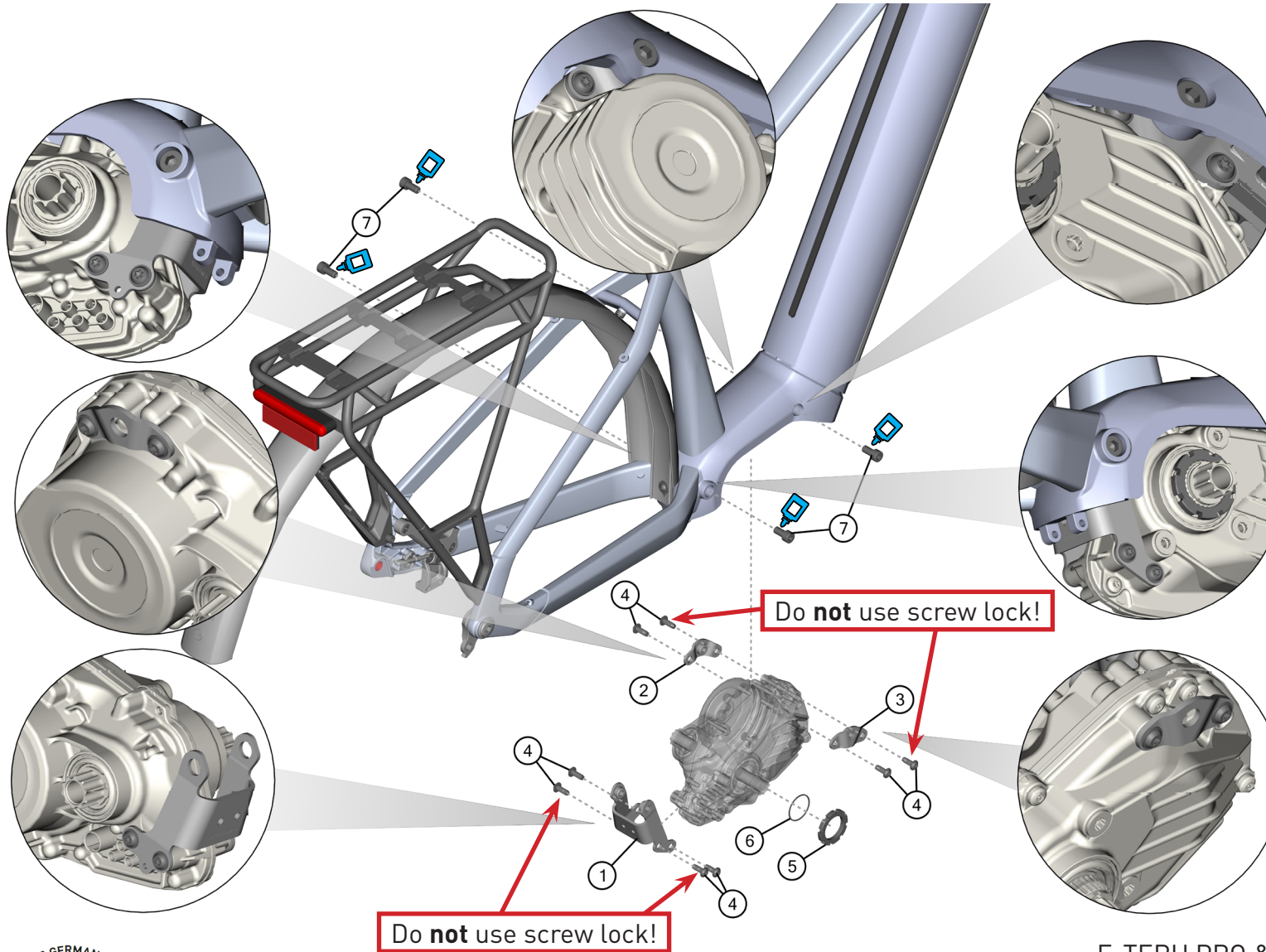
date: 30-03-2023

version: 01

# ÜBERSICHTSZEICHNUNG


ASSEMBLY DRAWING motor mount

# GHOST



**Hinweis:** Bei den Schrauben muss mittelfeste Gewindesicherung verwendet werden. Rote Flächen müssen gefettet werden.

**Note:** use medium strength screw lock for screw threads. red surfaces has to be greased.

 > medium strength screwlock

# ÜBERSICHTSZEICHNUNG

## ASSEMBLY DRAWING motor mount

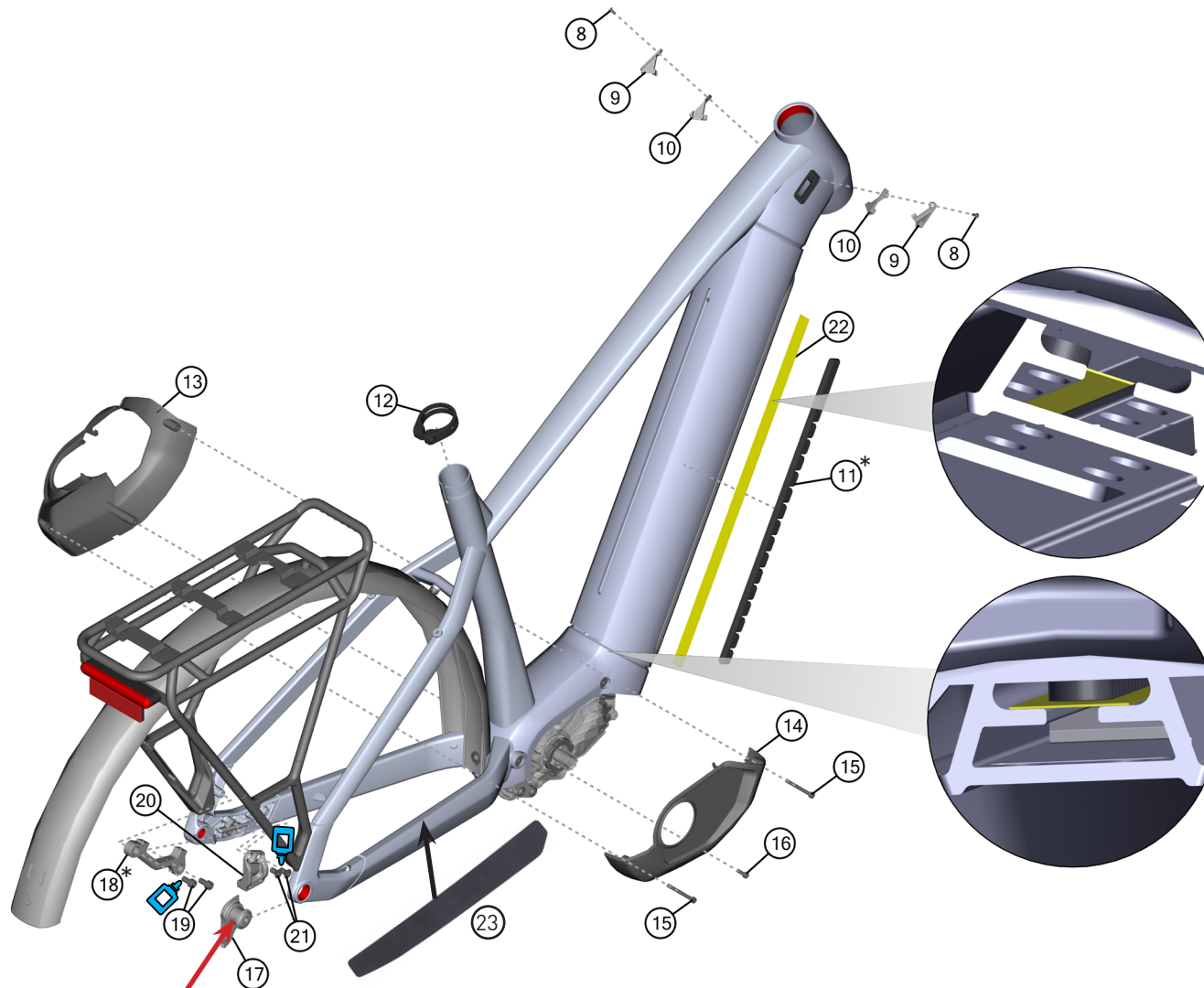
**GHOST**

| BOM-ID | Description                         | Specification     | Torque | Item no.                 | QTY |
|--------|-------------------------------------|-------------------|--------|--------------------------|-----|
| 1      | Motoradapter plate backside         |                   |        | 10213060                 | 1   |
| 2      | Motoradapter plate left             |                   |        | 10213058                 | 1   |
| 3      | Motoradapter plate right            |                   |        | 10213059                 | 1   |
| 4      | Screw for mounting connection plate | T30 - M6 x 16 mm  | 10 Nm  | 02006244<br>( FRSC0125 ) | 8   |
| 5      | Lockring                            |                   |        | 02006143<br>( FROT0180 ) | 1   |
| 6      | O-Ring                              |                   |        | 02006144<br>( FROT0181 ) | 1   |
| 7      | Cylinder head screw                 | TX45 - M8 x 16 mm | 20 Nm  | 09105177                 | 4   |

# ÜBERSICHTSZEICHNUNG

## ASSEMBLY DRAWING main frame

# GHOST

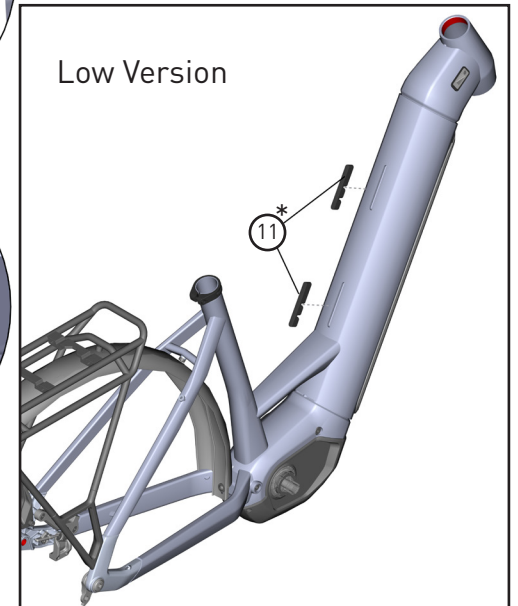


**Hinweis:** Bei den Schrauben muss mittelfeste Gewindesicherung verwendet werden. Rote Flächen müssen gefettet werden.

**Note:** use medium strength screw lock for screw threads. red surfaces has to be greased.



➤ medium strength screwlock



Don't grease the thread!

E-TERU PRO & ADVANCED & UNIVERSAL (MY23)

date: 30-03-2023

version: 01

# ÜBERSICHTSZEICHNUNG

## ASSEMBLY DRAWING main frame

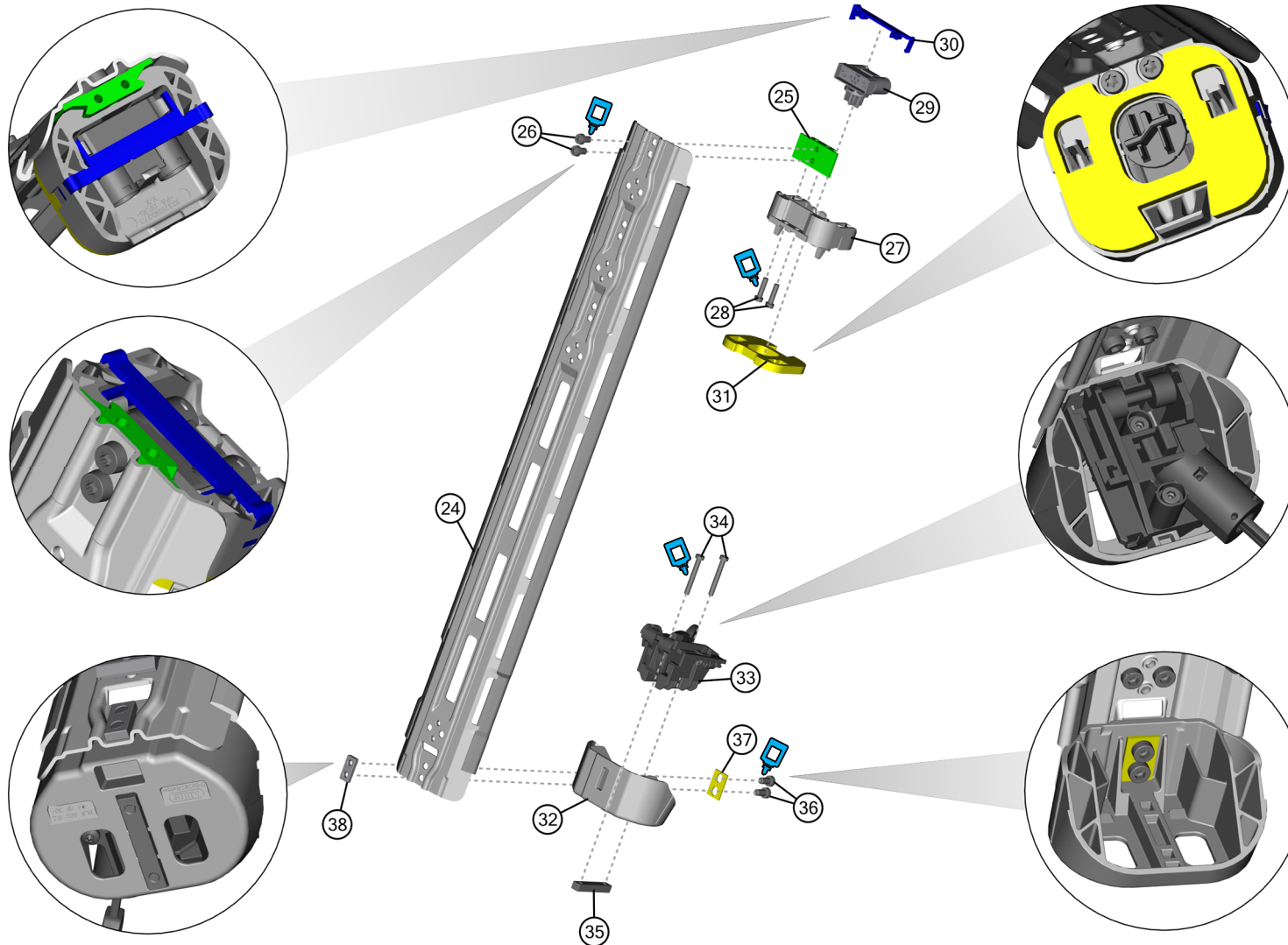
# GHOST

| BOM-ID | Description                           | Specification            | Torque   | Item no.                 | QTY |
|--------|---------------------------------------|--------------------------|----------|--------------------------|-----|
| 8      | Counter sunk screw                    | TX10 - M3 x 12 mm        | 1 Nm     | 09105164                 | 2   |
| 9      | Cable inlets left side                |                          |          | 10010540<br>( FROT0170 ) | 2   |
| 10     | Cable inlets right side               |                          |          | 10010539<br>( FROT0169 ) | 2   |
| 11*    | MRS Rubber                            |                          |          | 53100707                 | 1   |
| 11*    | MRS Rubber (Low Version)              |                          |          | 53100877                 | 2   |
| 12     | Seatclamp (incl. cylinder head screw) | Ø 38,1 mm                | 5 - 6 Nm | W4094139                 | 1   |
| 13     | Motor cover left side                 |                          |          | 10010567                 | 1   |
| 14     | Motor cover right side                |                          |          | 10010568                 | 1   |
| 15     | Cylinder head screw                   | TX20 - M4 x 50 mm        | 1 - 2 Nm | 09105173                 | 2   |
| 16     | Cylinder head screw                   | TX20 - M4 x 12 mm        | 1 - 2 Nm | 09105172                 | 1   |
| 17     | Hanger UDH                            | Don't grease the thread! |          | 10013579                 | 1   |
| 18*    | Brake Adapter 180                     |                          |          | 53101106                 | 1   |
| 18*    | Brake Adapter 203                     |                          |          | 53101097                 | 1   |
| 19     | Cylinder head screw                   | TX30 - M6 x 12 mm        | 6 - 8 Nm | 09105163                 | 2   |
| 20     | Kickstand Adaptor                     |                          |          | W9600044<br>( SMKS0003 ) | 1   |
| 21     | Counter sunk screw                    | TX30 - M6 x 12 mm        | 10 Nm    | 09103079                 | 2   |
| 22     | Foil for MRS Rubber                   |                          |          | W9350033                 | 1   |
| 23     | Chainstay protector                   |                          |          | 53101032                 | 1   |

# ÜBERSICHTSZEICHNUNG

## ASSEMBLY DRAWING battery mount

# GHOST



**Hinweis:** Bei den Schrauben muss mittelfeste Gewindesicherung verwendet werden.  
Rote Flächen müssen gefettet werden.

**Note:** use medium strength screw lock for screw threads.  
red surfaces has to be greased.



➤ medium strength screwlock

# ÜBERSICHTSZEICHNUNG

## ASSEMBLY DRAWING battery mount

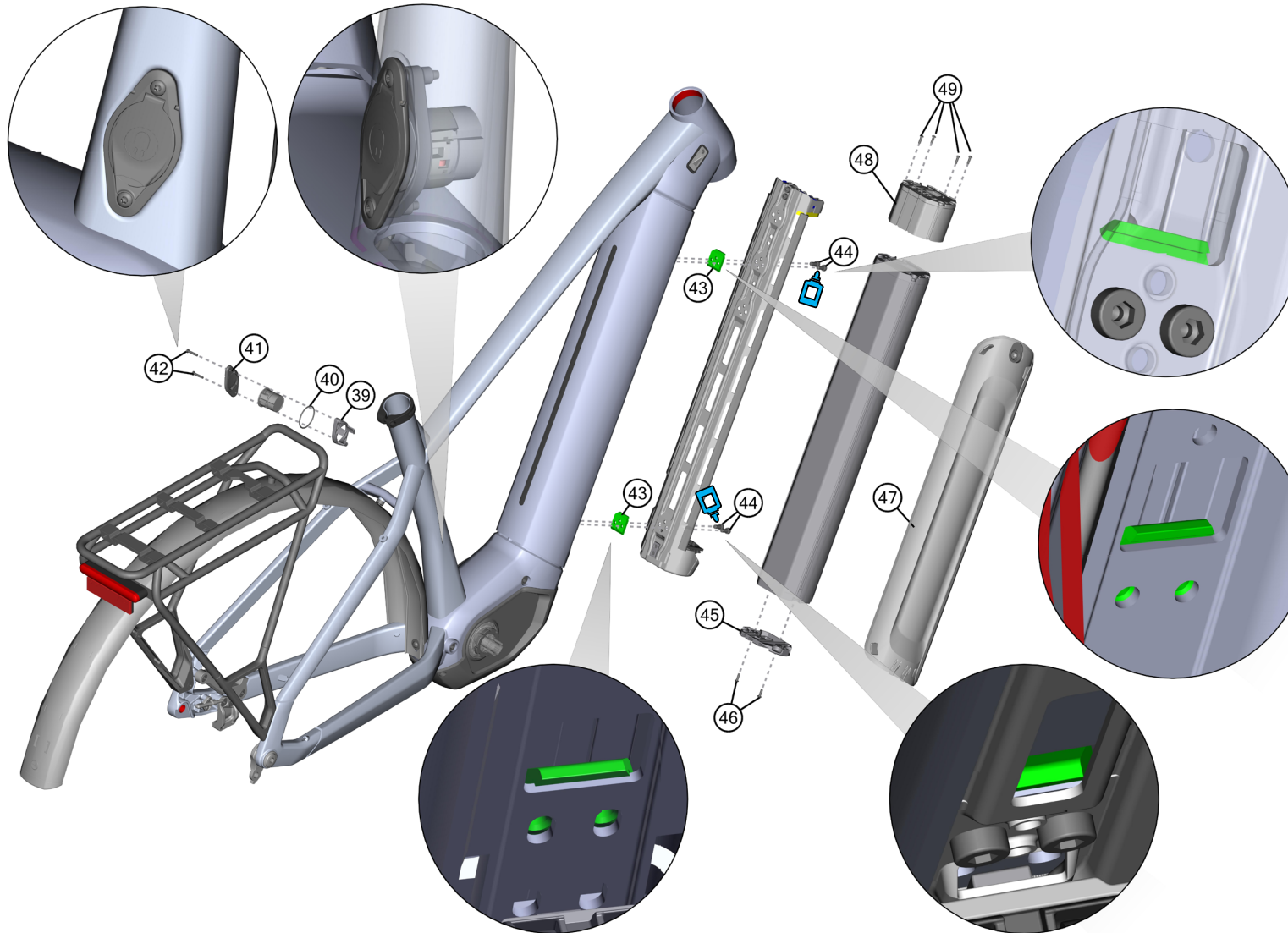
# GHOST

| BOM-ID | Description               | Specification     | Torque | Item no.                 | QTY |
|--------|---------------------------|-------------------|--------|--------------------------|-----|
| 24     | Guide rail                |                   |        | 02006250                 | 1   |
| 25     | Support Frame Base        |                   |        | 02006249<br>( ELOT0004 ) | 1   |
| 26     | Screw for Guide Rail      | TX25 - M5 x 9 mm  | 5 Nm   | 02006252<br>( FRSC0122 ) | 2   |
| 27     | Cradle                    |                   |        | 02006239<br>( ELOT0003 ) | 1   |
| 28     | Screw for Frame Base      | T20 - M4 x 16 mm  | 3 Nm   | 02006251<br>( FRSC0121 ) | 2   |
| 29     | Battery Adapter           |                   |        | 02006242<br>( ELOT0006 ) | 1   |
| 30     | Clamp Ring Cradle         |                   |        | 02006245<br>( ELOT0008 ) | 1   |
| 31     | Damper Foil Poron Plug    |                   |        | 02006240<br>( ELOT0005 ) | 1   |
| 32     | Battery lock bracket      |                   |        | 53101058                 | 1   |
| 33     | Battery locking assembly  |                   |        | 94092064                 | 1   |
| 34     | Cylinder head screw       | TX20 - M4 x 30 mm | 3 Nm   | 09105165                 | 2   |
| 35     | Fixation plate            |                   |        | 94092067                 | 1   |
| 36     | Lens head screw           | TX25 - M5 x 10 mm | 5 Nm   | 09103076                 | 2   |
| 37     | Battery connection washer |                   |        | 94092066                 | 1   |
| 38     | Thread plate              |                   |        | 10213061                 | 1   |

# ÜBERSICHTSZEICHNUNG

## ASSEMBLY DRAWING battery mount

# GHOST



**Hinweis:** Bei den Schrauben muss mittelfeste Gewindesicherung verwendet werden.  
**Rote Flächen müssen gefettet werden.**

**Note:** use medium strength screw lock for screw threads.  
**red surfaces has to be greased.**



➤ medium strength screwlock



# ÜBERSICHTSZEICHNUNG

## ASSEMBLY DRAWING battery mount

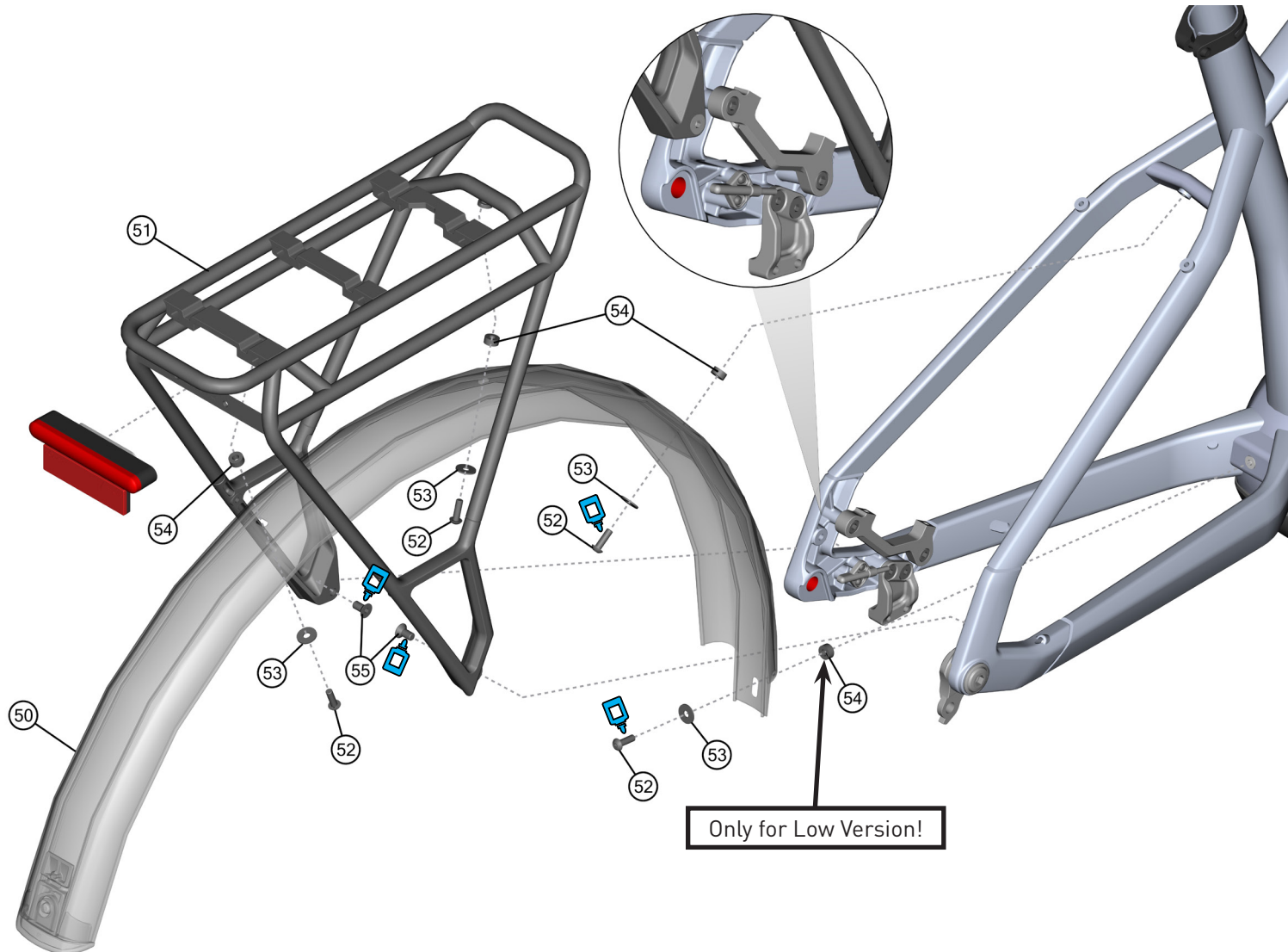
**GHOST**

| BOM-ID | Description                                | Specification     | Torque | Item no.                 | QTY |
|--------|--|-------------------|--------|--------------------------|-----|
| 39     | Charge port frame                          |                   |        | 53100999<br>( FROT0212 ) | 1   |
| 40     | O-ring charge port                         |                   |        | 02009052<br>( ELOT0007 ) | 1   |
| 41     | Charge port cover                          |                   |        | 53100913<br>( COV0016 )  | 1   |
| 42     | Lens head screw                            | TX10 - M3 x 16 mm | 1 Nm   | 09103029                 | 2   |
| 43     | Thread insert TI for battery rail fixation |                   |        | 53200549                 | 2   |
| 44     | Lens head screw                            | TX25 - M5 x 12 mm | 5 Nm   | 09103077                 | 4   |
| 45     | Battery face plate                         |                   |        | 94092070                 | 1   |
| 46     | Lens head screw                            | IS2 - M3 x 10 mm  | 1 Nm   | 09105176                 | 2   |
| 47     | Battery cover                              |                   |        | 53101056                 | 1   |
| 48     | Battery spacer                             |                   |        | 10010566<br>( FROT0245 ) | 1   |
| 49     | Lens head screw with collar                | IS2 - M3 x 10 mm  | 1 Nm   | 00912678<br>( FRSC0164 ) | 4   |

# ÜBERSICHTSZEICHNUNG

ASSEMBLY DRAWING carrier & fender

# GHOST



**Hinweis:** Bei den Schrauben muss mittelfeste Gewindesicherung verwendet werden. Rote Flächen müssen gefettet werden.

**Note:** use medium strength screw lock for screw threads. red surfaces has to be greased.



➤ medium strength screwlock

Only for Low Version!



E-TERU PRO & ADVANCED & UNIVERSAL (MY23)

date: 30-03-2023

version: 01

# ÜBERSICHTSZEICHNUNG

## ASSEMBLY DRAWING carrier & fender

**GHOST**

| BOM-ID | Description        | Specification     | Torque   | Item no. | QTY |
|--------|--------------------|-------------------|----------|----------|-----|
| 50     | Rear fender        |                   |          | 11011368 | 1   |
| 51     | Rear carrier       |                   |          | 77002162 | 1   |
| 52     | Lens head screw    | TX25 - M5 x 16 mm | 5 Nm     | 09103078 | 4   |
| 53     | Washer (DIN 9021)  | ø 5,3 mm          |          | SM1102   | 4   |
| 54     | Spacer             |                   |          | 77002156 | 4   |
| 55     | Counter sunk screw | TX30 - M6 x 16 mm | 6 - 8 Nm | 09105152 | 2   |



E-TERU PRO & ADVANCED & UNIVERSAL (MY23)

date: 30-03-2023

version: 01

# ÜBERSICHTSZEICHNUNG

## ASSEMBLY DRAWING

# GHOST

| FACT SHEET:             |  |
|-------------------------|--|
| SHOCK LENGTH:           | -----  |
| SHOCK HARDWARE TOP:     | -----  |
| SHOCK HARDWARE BOTTOM:  | -----  |
| HEADSET TOP:            | ZS 44  |
| HEADSET BOTTOM:         | ZS 56  |
| SEATPOST DIAMETER:      | 34,9 MM  |
| CLAMP INNER DIAMETER:   | 38,1 MM  |
| BOTTOM BRACKET:         | -----  |
| KICKSTAND:              | KSA 18 (Adapter required)<br>fixed for Thru Axle |
| ISCG STANDARD:          | ISCG 05 on motor                                 |
| CARRIER MOUNT:          | YES  |
| FENDER COMPATIBLE:      | YES / CSY+SSB mount                              |
| DROPPER SEATPOST READY: | YES  |

|                                  |  |
|----------------------------------|--|
| VERSATILE ACCESSORIES:           | MRS center rail, covered by<br>MRS rubber part<br>REX can be mounted                                     |
| ASTM CATEGORY:                   | MTB/TR HIGH: 3 – 150kg<br>max total weight<br>MTB/TR LOW: 2 – 150kg max<br>total weight                  |
| MAXIMUM REAR TIRE SIZE:          | MTB/TR: 27.5" x 2.6"<br>MTB/TR: 27.5" x 2.4" w. fender<br>MTB: 29" x 2.6"<br>MTB: 29" x 2.4" with fender |
| MAXIMUM FRONT TIRE SIZE:         | MTB/TR: 27.5" x 2.6"<br>MTB/TR: 27.5" x 2.4" w. fender<br>MTB: 29" x 2.6"<br>MTB: 29" x 2.4" with fender |
| QUICK RELEASE LENGTH:            | Thru-axle M12x1.00x180mm<br>148mm Head HEX 11.5mm  |
| OVER-LOCKNUT DIMENSION (O.L.D.): | 148 x 12 MM  |
| FD CLAMP SIZE:                   | -----  |
| FD TYPE:                         | -----  |
| ENGINE:                          | BOSCH PERFORMANCE CX<br>(Smart System)   |
| BATTERY:                         | BOSCH POWER TUBE hori-<br>zontal PT 625 WH / PT 750 WH   |
| DISPLAY:                         | BOSCH KIOX + REMOTE  |



E-TERU PRO & ADVANCED & UNIVERSAL (MY23)

date: 30-03-2023

version: 01